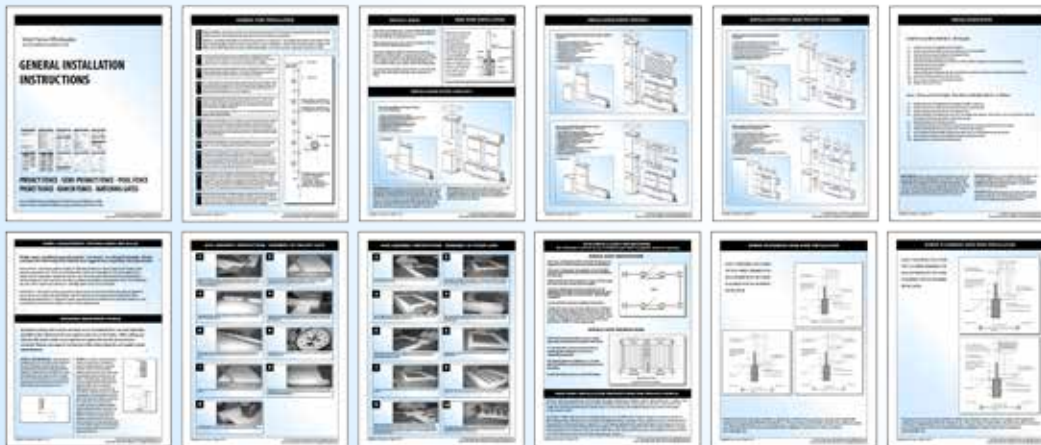


Vinyl Fence Wholesaler

# VINYL FENCE INSTALLATION INSTRUCTIONS



**PRIVACY FENCE - SEMI-PRIVACY FENCE - POOL FENCE  
PICKET FENCE - RANCH FENCE - MATCHING GATES**



## HELPFUL HINTS

If post does not already have a concrete weep hole at bottom of the post drill a hole at least 3/4" dia. 12" up from bottom of post. This will help concrete get into post.

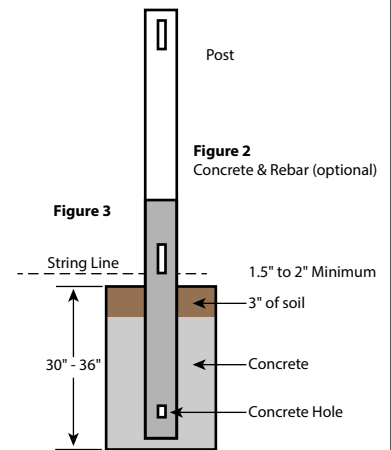
When gluing picket caps, place a thin bead of glue inside the picket and press picket cap into place.

Post caps should not be glued in the event you want to upgrade to a different style. A small amount of clear silicone on the inside corner of post cap will secure cap to post. • Clean fence using a formula of 1/3 Cup powdered detergent, 2/3 Cup household cleaner and 1 gallon water. Rinse thoroughly.

For stain removal use either lacquer thinner or soft scrub with bleach. Rinse thoroughly with water after using either of these.

## HIGH WIND INSTALLATION

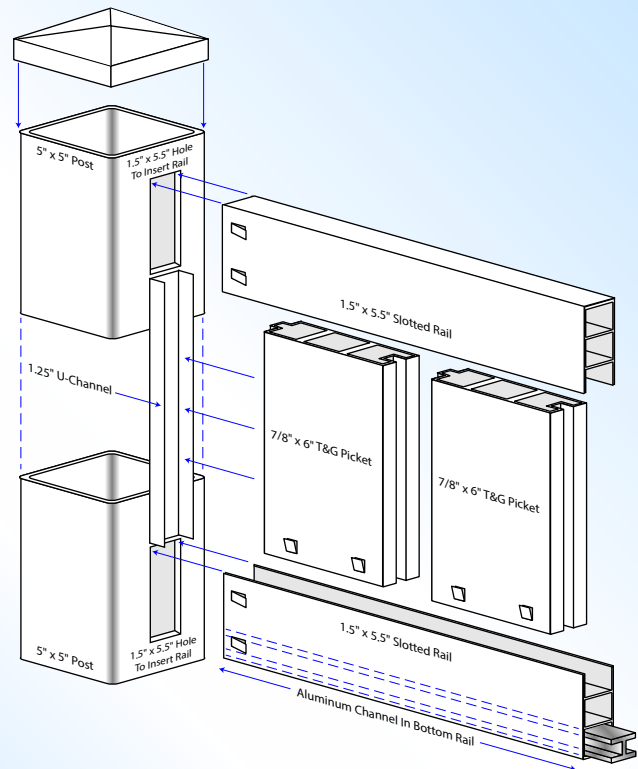
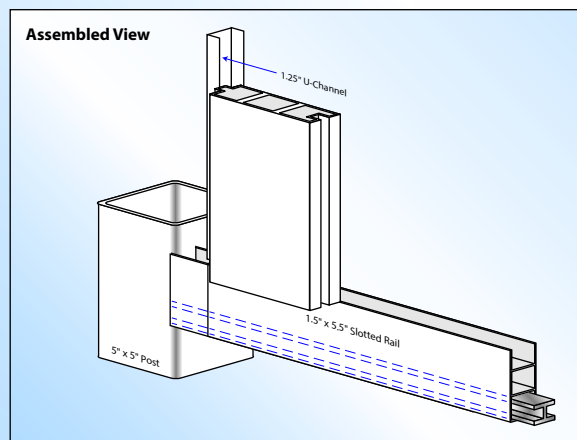
If the fence is over 6' tall or you are located in a high wind area it is recommended that you will fill the inside of the posts half way up with concrete AFTER THE PANELS ARE INSTALLED. Prior to installing panels into the posts tape the lower rail to prevent concrete backflow.



## INSTALLATION STEPS (PRIVACY)

### Heavy-Duty Rainier Privacy Fence 3' to 6' Tall - No Mid-Rail

- 1.) Follow instructions for digging holes and layout.
- 2.) Install 1 post (post A) with concrete around the post – level and plumb.
- 3.) Have another post (post B) sitting in the adjacent hole.
- 4.) Install the bottom and top-rail in post A.
- 5.) Slide the T&G pickets between the bottom and top-rail
- 6.) Don't forget the U-channel on first and last pickets).
- 7.) Install the bottom rail in post B.
- 8.) Install the top rail in post B.
- 9.) Put concrete around post B and level and plumb.



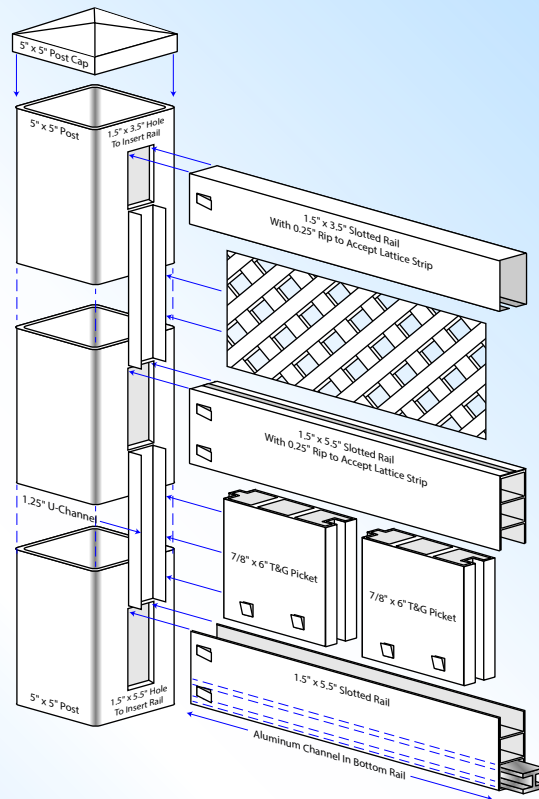
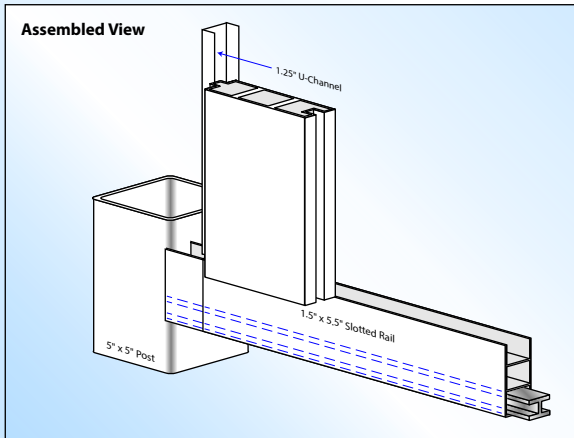
**IMPORTANT TIP:** For best results set your first post (anchor) in concrete. As you assemble have the remaining posts loose in the holes. Use pea gravel (for drainage at the bottom of each hole) to hold the posts in place. This will allow you to manipulate the posts to insert the horizontal rails into the posts. Once the fence sections are assembled, fill remaining post holes with concrete. You can use fill dirt at the top of the hole to allow your sod to grow back. Level fence sections and posts as you fill holes with concrete. Ensure the entire fence line is plumb and level before concrete sets!

**IMPORTANT TIP #2:** IF you are going to Wind Certify your fence, make sure to take a strip of duct tape to cover the end of the bottom horizontal rails before you insert into the posts. This will allow you to backfill the posts after the install and will ensure concrete will not seep into the bottom horizontal rail.

# INSTALLATION STEPS (PRIVACY)

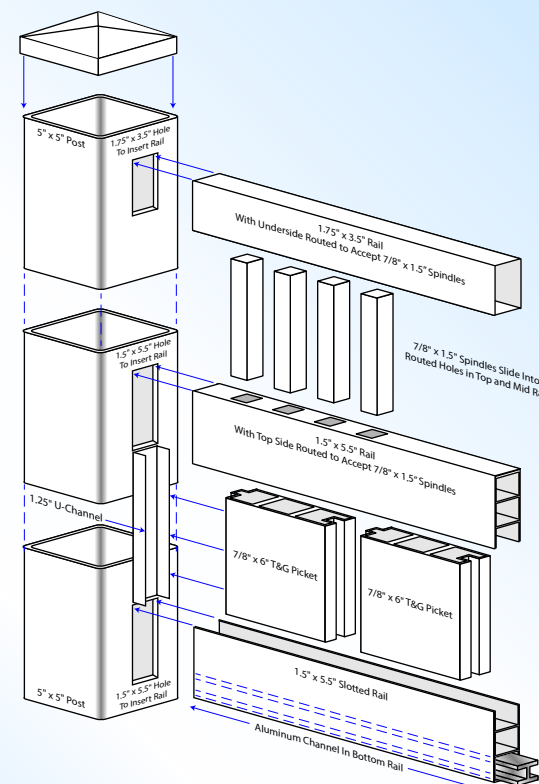
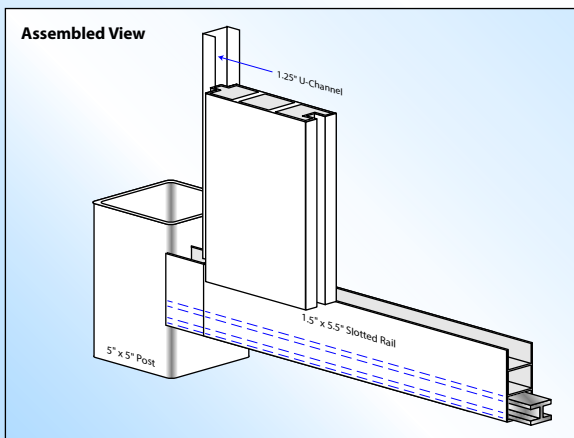
## Heavy-Duty Rainier Privacy Fence with Lattice 3' to 6' Tall

- 1.) Follow instructions for digging holes and layout.
- 2.) Install 1 post (post A) with concrete around the post – level and plumb.
- 3.) Have another post (post B) sitting in the adjacent hole.
- 4.) Install the bottom and mid-rail in post A.
- 5.) Slide the T&G pickets between the bottom and mid-rail.  
Don't forget the U-channel on first and last pickets.
- 6.) Install the bottom rail in post B.
- 7.) Install the top rail in post A.
- 8.) Slide the lattice strip between the mid-rail and the top rail.  
Don't forget the lattice end channels.
- 9.) Install the mid-rail and top rail in post B.



## Heavy-Duty Vicksburg Privacy Fence Closed Spindle Top - 3' to 6' Tall

- 1.) Follow instructions for digging holes and layout.
- 2.) Install 1 post (post A) with concrete around the post – level and plumb.
- 3.) Have another post (post B) sitting in the adjacent hole.
- 4.) Install the bottom and mid-rail in post A.
- 5.) Slide the T&G pickets between the bottom and mid-rail.  
Don't forget the U-channel on first and last pickets.
- 6.) Install the bottom rail in post B.
- 7.) Install the top rail in post A.
- 8.) Put the pickets in the holes between the top rail and the mid-rail.
- 9.) Install the top rail and mid-rail in post B.
- 10.) Put concrete around post B and level and plumb.
- 11.) Repeat down the fence line.

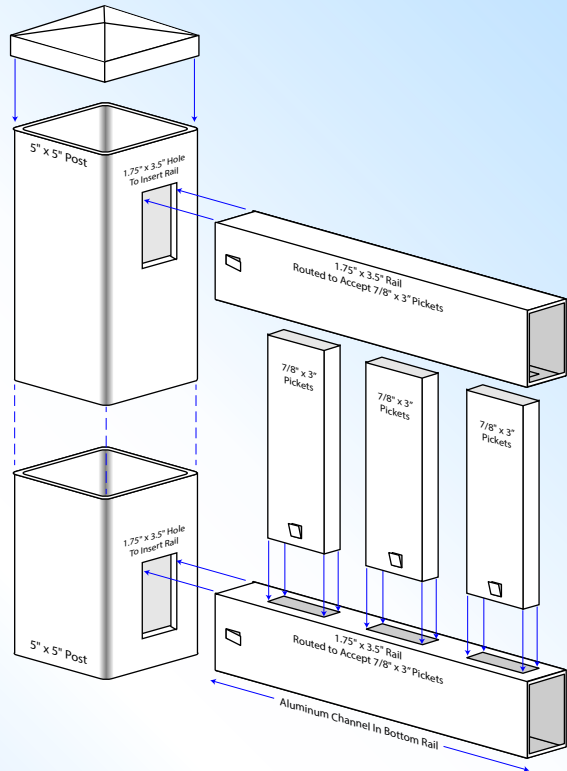
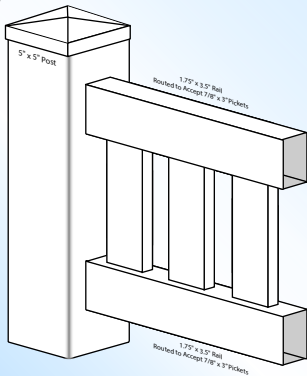


# INSTALLATION STEPS (SEMI-PRIVACY & PICKET)

## Heavy-Duty Semi-Privacy Fence Styles 3' to 6' Tall

- 1.) Follow instructions for digging holes and layout located on page one.
- 2.) Install 1 post (post A) with concrete around the post. Level and plumb.
- 3.) Have another post (post B) sitting in the adjacent hole.
- 4.) Assemble the panel using rails and pickets. The rail with aluminum is the bottom rail.
- 5.) Insert the rails of the assembled panel into post A first.
- 6.) Then, insert the rails of the assembled panel into the opposite post, (post B)
- 7.) Put concrete around post B, level and plumb the post.
- 8.) Repeat the above steps down the fence line.

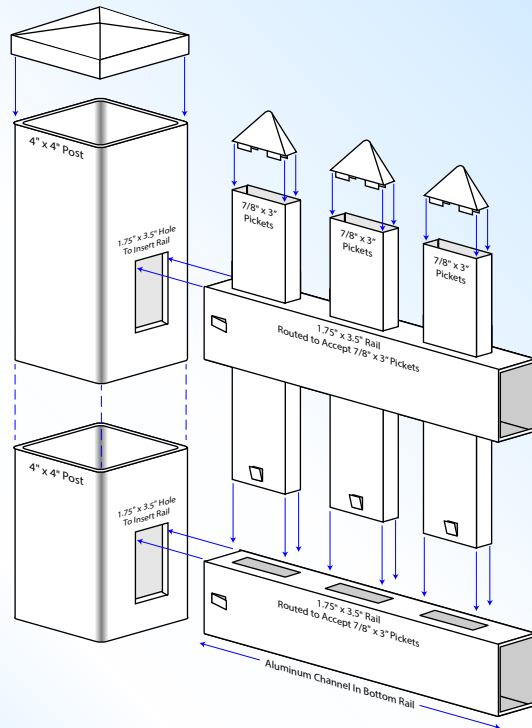
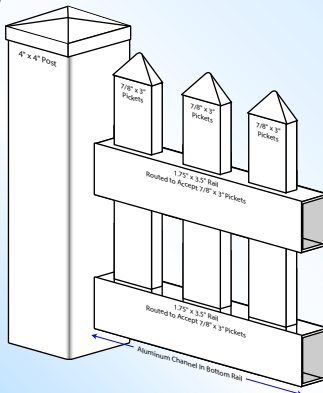
Assembled View



## Heavy-Duty Picket Fence Styles 3' to 6' Tall (Pickets Go Through Top Rail)

- 1.) Follow instructions for digging holes and layout.
- 2.) Install 1 post (post A) with concrete around the post. Level and plumb.
- 3.) Have another post (post B) sitting in the adjacent hole.
- 4.) Insert the bottom and middle rails into post A.  
The middle rails will have routed holes on the top and bottom of the rail.  
The larger routed holes should face towards the ground.
- 5.) Install the bottom rail in post B.
- 6.) Install the top rail in post B.
- 7.) Put concrete around post B and level and plumb.
- 8.) Repeat the above method down the fence line.
- 9.) After all rails installed, slide the pickets through the rails and glue on picket caps.

Assembled View

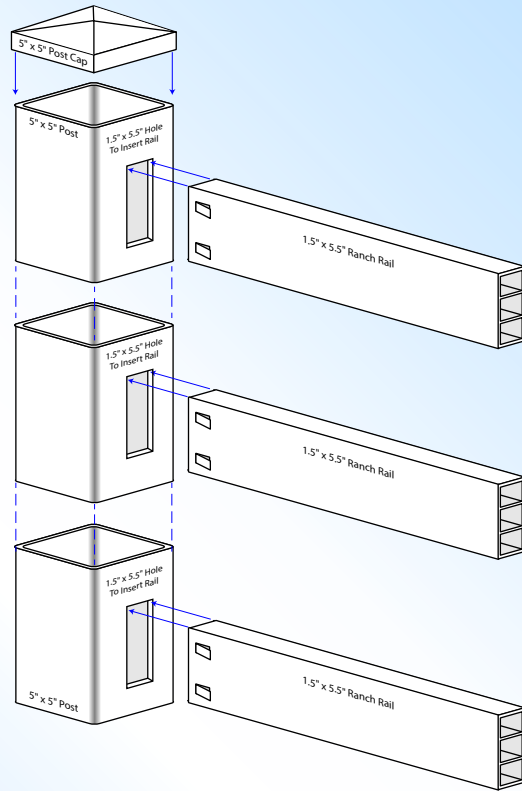
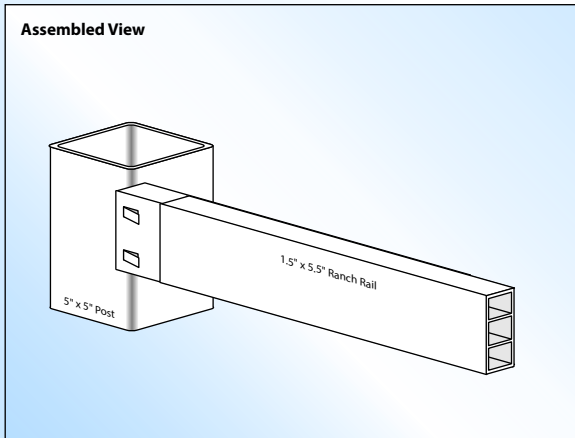




# INSTALLATION STEPS (RANCH & HORSE FENCE)

## Heavy-Duty Horse & Ranch Fence 2, 3, 4 & 5 Rail Styles

- 1.) Follow instructions for digging holes and layout.
- 2.) Install 1 post (post A) Concrete is optional.
- 3.) Concrete is not required, it is optional for Horse and Ranch fence.  
Use Pea Gravel for drainage and/or Fill Dirt to Level posts.
- 4.) Have another post (post B) sitting loose in the adjacent hole.
- 5.) Insert the horizontal rails in post A.
- 6.) Insert the horizontal rails in post B
- 7.) If Your horizontal rails are 192" long You will have 3 posts set at 96" On Center.  
Post A, B and C - Insert Rails through Middle Post B and then lock into Post A and Post C
- 8.) Fill Around posts with optional Concrete, Fill Dirt or Pea Gravel- Level and plumb to finish.

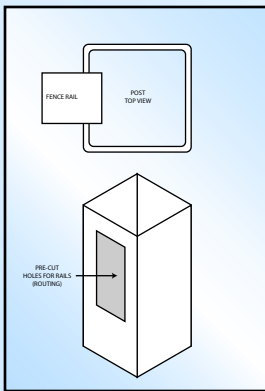


**IMPORTANT TIP:** For best results set your first post (anchor) in concrete. As you assemble have the remaining posts loose in the holes. Use pea gravel (for drainage at the bottom of each hole) to hold the posts in place. This will allow you to manipulate the posts to insert the horizontal rails into the posts. Once the fence sections are assembled, fill remaining post holes with concrete. You can use fill dirt at the top of the hole to allow your sod to grow back. Level fence sections and posts as you fill holes with concrete. Ensure the entire fence line is plumb and level before concrete sets!

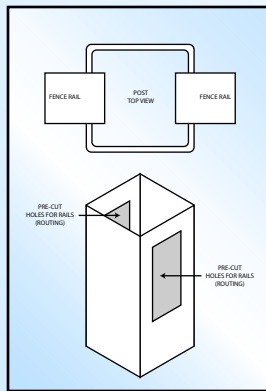
**IMPORTANT TIP #2:** If you are going to Wind Certify your fence, make sure to take a strip of duct tape to cover the end of the bottom horizontal rails before you insert into the posts. This will allow you to backfill the posts after the install and will ensure concrete will not seep into the bottom horizontal rail.

**IMPORTANT TIP #3:** Setting the posts in concrete is optional and not required to use for Horse Fence, Picket Fence, Pool Fence or any fence style below 5' Tall unless it is a commercial project or in a high wind zone. You can substitute pea gravel, sand or use fill dirt.

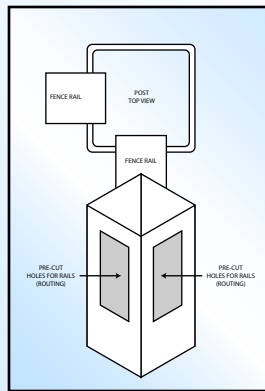
## POST TYPES & THEIR USES



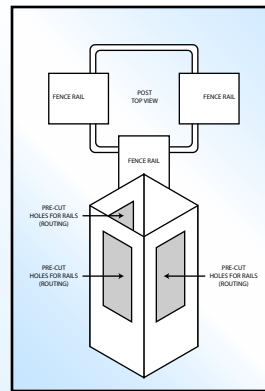
**END / GATE POSTS:** Used where a fence line starts and ends including when a gate will be installed on any remaining side.



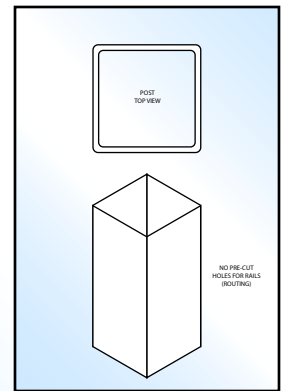
**LINE POSTS:** Used where two sections of fence meet and are running in a straight line. Some angle variation is possible.



**CORNER POSTS:** Used where a 90 degree corner is desired. Some angle variation is possible as with line posts.



**3 WAY POSTS:** Used to create a 3-Way intersection of fence. A 4-Way intersection would require 2 Posts.



**BLANK POSTS:** Used when no fence is to be attached as would be the case for a gate at the end of a fence line.

## FENCE PANEL LENGTH & HEIGHT ADJUSTMENTS

**Our Fence Panels are designed to adjust down to any length needed. Under many conditions panels may be "cut down in height as well. Please consider the following information and suggestions.**

Before cutting, lay the fence panel down on the ground and lay the pickets on top of the rails to get an idea as to what it will look like before you cut! This will allow you to mark it correctly.

Privacy Fence - the privacy panels include 6" wide T&G pickets, it is best to reduce the length of the panel in increments of 6". If you are not able to follow this course, you will have to "rip" the length of the picket, which will require the use of a saw. Our U Channel for our privacy fence styles, will hide the cut so again this is not a problem as our fence is designed for this! Once you have determined the actual length of panel needed, cut one end of the horizontal rail to achieve the desired measurement.

Picket Fence and Semi Privacy Fence and Pool Fence: The Bottom, Mid (if included) and top horizontal rails of any picket top style fence" may need to be cut at both ends to have the pickets uniformly between posts. Be sure to cut the top and bottom rails the same to insure proper picket alignment. When eliminating pickets from a "scalloped" panel, remember that you will have to insert the pickets in such a way that it resembles the scallop, or slope of the original panel.

Ranch & Horse Fence - Cut the rails to any length required. This is very common and easy to accomplish!

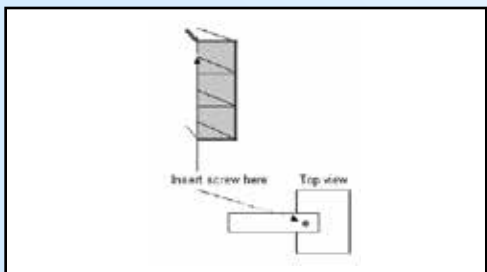
### Height Adjustments

If you are having to cut down the height of your fence panels, hopefully you have accounted for this on your order as you might need additional blank posts or end posts to custom route the holes for the rails. Please contact your sales associate for any questions on your order. If you have not ordered your fence and you will have different heights required make sure you let us know so that we can quote your project correctly.

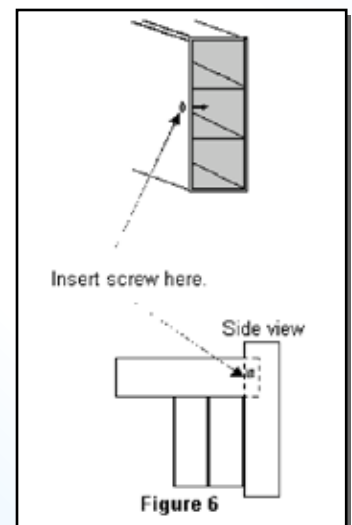
## SECURING SHORTENED PANELS

**In instances where the horizontal rails must be cut down in length, try to cut from one end when possible, as this will ensure that you will retain one set of notches on the end of the rails. The notches are not required as our rails are very snug in the posts, however they do add a layer of security to prevent them from pulling out of the posts.**

**OPTION 1 (RECOMMENDED)** - After the rails are installed, insert a screw at each end of the rail on the face of the rails, outside of the post. (See figure 4). We recommend a small pan head size number 12 stainless steel screw. After the screws are installed you may want to paint it to match the color of your material. You can use standard spray-paint or you may even use auto touch up paint found at your local auto parts store.



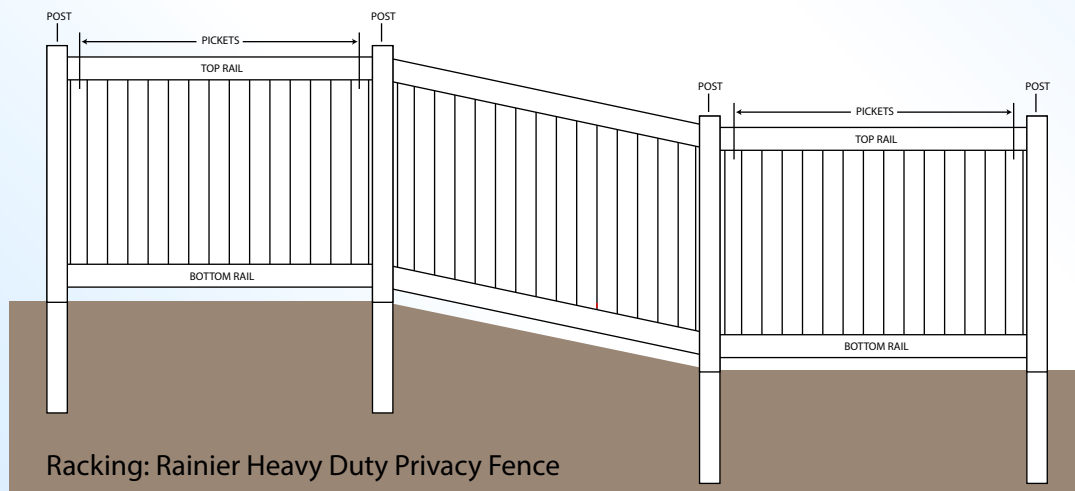
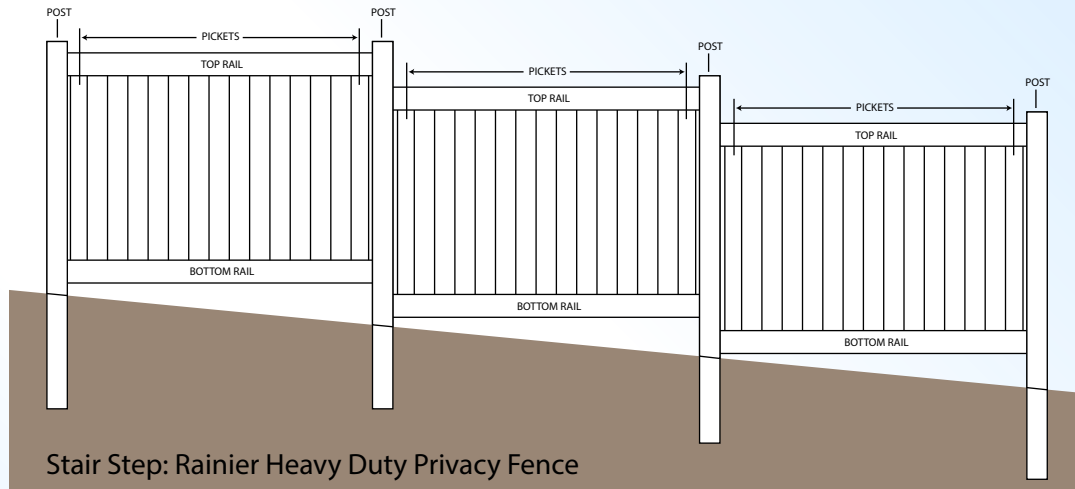
**OPTION 2** - If option 1 does not fit your needs you may want to consider this option. A simple method for replacing notches on the top rail is to drive a stainless steel screw into the rail through the opening in the top of the post. See Figure 5. This will make certain that the top rail remains inside the post if force is applied to pull it out. A method for replacing the notches on a bottom rail also utilizes a stainless steel screw. Instead of driving the screw partially into the top wall of the rail, insert it fully into the front face of the rail as close to the end as possible. See Figure 6. While simultaneously inserting the rail into the post, use applied pressure from your thumbs to direct or "bow in" the face of the rail enough so that the head of the screw passes through the routed opening of the post. This method will also ensure that the top rail remains inside the post if force is applied to pull it out.



## STEPPING VERSUS RACKING

**Very few fence projects are on level ground. All of our Heavy Duty Fence products are designed to install on any surface and to adjust to your terrain. For Mild slopes you can simply vary the depth of your post to allow the top horizontal rails to remain level and for the slope to be on the bottom of the fence panel where it meets the ground.**

**If your ground has severe slopes and hills you will have to consider which installation method best fits your project For Severe Slopes you can Rack or Stair Step your fence.**



**Privacy Fence** - To rack your fence, you will need to elongate the routing holes on the posts to allow the horizontal rails to angle up or down depending on the rack you are looking for. To angle the rail up, you will elongate the top of the routing hole. To angle the rail down, you will elongate the bottom of the routing hole. We suggest using a Sawzall or a jig saw- I have done this in the field with a tiny hand saw. Just make sure to only cut off a small amount at a time until you achieve the angle you are looking for. Once you have this correct you can that angle cut the pickets at the top to achieve the same angle.

**Ranch Fence** - Ranch Fence Looks best Racked. Very easy to accomplish as you will simply be elongating the routing holes in the post to allow the rails to adjust to the angle you require. Allow the rails to follow the angles of your terrain for a very elegant looking installation.

**Picket Fence, Pool and Semi Privacy Fence** - Are pre-routed to allow for racking 8" - 10" over 8' Panel length. The Bottom Side of each Horizontal rails is routed to allow our pickets to rack.

**To Step your Fence, you will need to let us know of this in advance. We will provide End Posts or Blank Posts which will allow you to stair step your fence to go up or down your slope as needed.**

You will simply cut the routing holes on site to allow for the step. Very easy to accomplish and keep in mind we are always here 24/7 as your installation support!



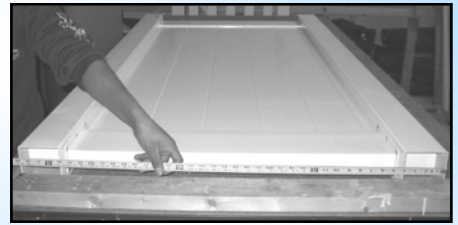
# GATE ASSEMBLY INSTRUCTIONS - ASSEMBLY OF PRIVACY GATE

**1**



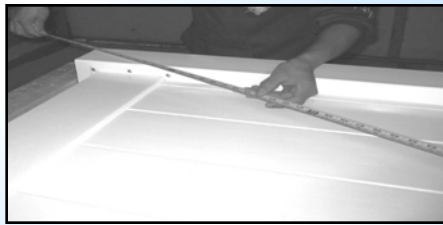
Always start by doing a "Dry Fit" test without gluing. This allows you to make any necessary adjustments. Start the assembly by inserting the rails into the first gate socket post as shown. Install a u-channel on the first picket. Feed the pickets into the slots of the rails. Continue installing the additional pickets.

**2**



Once you have finished installing the pickets, install the remaining Uchannel in the same manner as the first. Do not use glue for the initial "Dry Fit" assembly. Once assembly is complete measure to be sure gate is the same width at top and bottom.

**3**



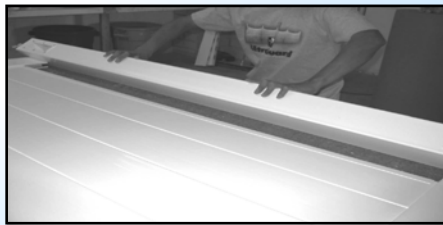
Cross measure the gate. Be sure to read the same side of the tape rule. Failure to do so will result in the wrong measurement.

**4**



Leaving the panel assembled, carefully remove the rails from the socket posts. Turn the first socket post up and run a 1/8" bead of vinyl glue (included) around the inner rim of the socket approx. 1/4" down.

**5**



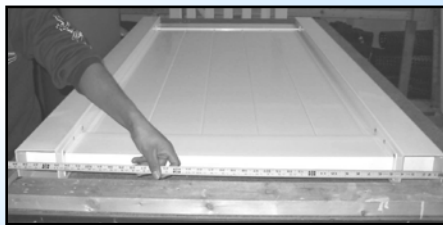
After the glue is in the pockets of the first gate post, flip it down and quickly insert the rails into the pockets. Be sure to firmly insert the rails. The adhesive will set in about 45-60 second.

**6**



Quickly repeat steps 5 & 6 for the other post. This may take some assistance to do before the adhesive begins to set.

**7**



Quickly measure the top and bottom of the gate as shown here. Both measurements should be equal.

**8**



Allow glue to dry for 1 hour, cut and install the angle brace. The brace should run at an angle starting at the lower corner of the gate on the hinge side and run at an upward angle towards the top of the gate on the latch side.

**9**



Pre-drill two holes into each end of the angle brace only. DO NOT Pre-Drill into the gate. Attach the angle brace using two of the provided self-tapping screws at each end of the gate.

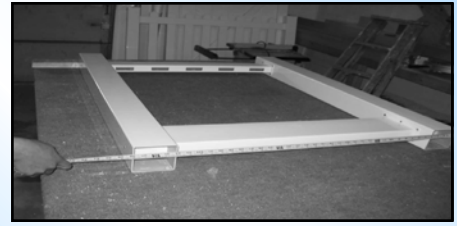
# GATE ASSEMBLY INSTRUCTIONS - ASSEMBLY OF PICKET GATE

1



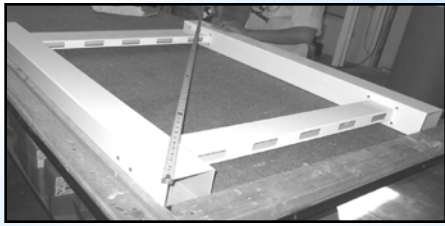
Start gate assembly by locating all parts to the gate: Socket posts, rails & pickets. Using NO GLUE, assemble for a "dry" test.

2



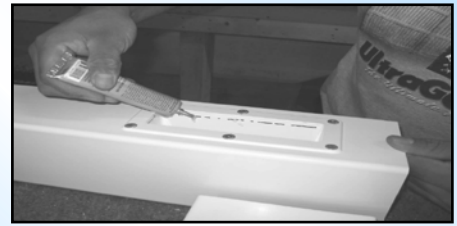
Once the gate is assembled, measure the width at the top and bottom of gate as shown here. They must be the same width or your gate will be out of square! Note: If you are assembling a pool or a semi-privacy style gate you must have the pickets in place prior to gluing the gate.

3



Measure diagonally as well. Both ways should be the same or within 1/8" difference at most! Make any adjustments for gate before moving forward.

4



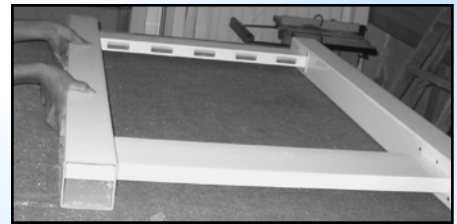
After the gate has been checked carefully remove the rails from the gate posts. Flip first gate post up and insert a 1/8" bead of glue around the inside of the pocket down about 1/4" from top of the pockets.

5



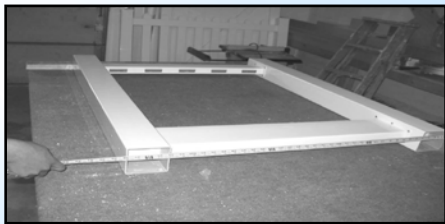
After the glue is in the pocket of the first socket post, flip it down and quickly insert the rails into the pocket. Move on to the next step quickly! Be sure to firmly insert the rails, the adhesive will set in about 45 seconds.

6



Quickly repeat the step above for the other post. This may take some assistance to do before the adhesive sets.

7



Quickly measure the top and bottom of the gate as shown here. Both measurements should be equal.

8



After gate has set for 24 hours, insert the pickets through the top rail into the bottom rail as needed. NOTE: This will have already been done on a pool or semi-privacy style gate.

9



After pickets are installed, lay the angle brace on the gate and mark the length to cut. The brace is to be mounted to the rails only, (see pictures below) Pre-drill 2 holes into the angle brace only. DO NOT pre-drill into the gate. The angle brace should run at an angle starting at the bottom of the bottom rail near the bottom hinge and run at an angle towards the top of the top rail of the latch post.

10



Attach the brace using 2 self-tapping screws at each end of the gate as shown here. The screws are provided. Note: Mark the hinge side of socket post with tape. This will keep you from installing the angle brace in the wrong direction.

## GATE INSTALLATION INSTRUCTIONS

The following is based on an assembled gate that is properly sized for opening.

### SINGLE GATE INSTRUCTIONS

Do not pre-set both gate posts in concrete! You can pre-set hinge post in concrete, however do not pre-set latch post.

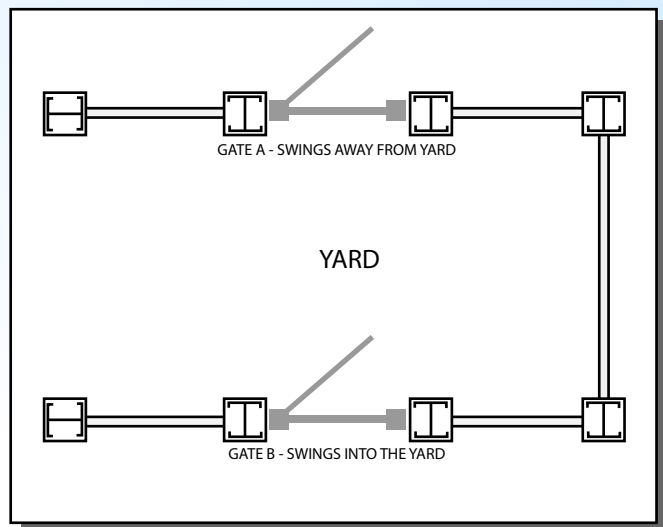
After gate is hung, make sure spacing is correct and gate swings properly between posts before you use concrete for the latch post.

Determine the direction the gate is to swing, usually swings into yard. Be sure to check your local codes!

If you have aluminum post inserts, install prior to the installation of the gate. If you do not have inserts you must fill the hinge post with concrete and rebar after the gate installation.

Locate and follow hardware installation instructions.

The gate will be mounted to be flush with the side of the fence that the gate will be swinging. See the illustration to the right. Be sure the gate will be high enough to clear obstructions such as snow. The gate posts should be cut on site as needed. Some installers cut the gate posts off at the bottom of the bottom gate pocket. DO NOT cut into the gate pocket.



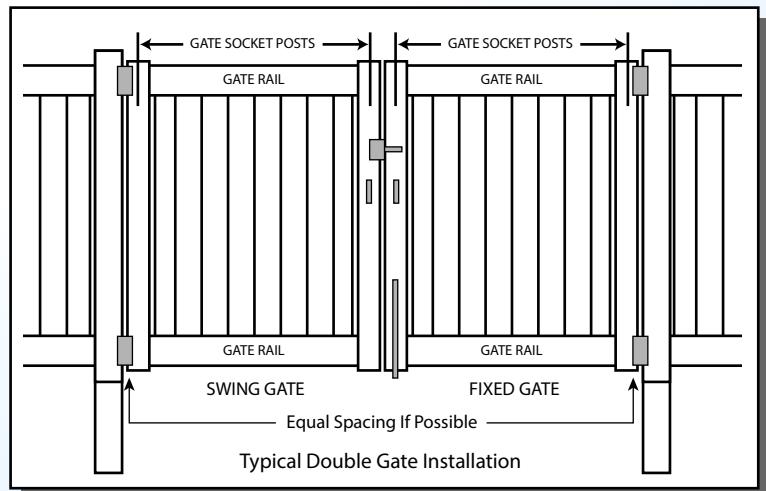
### DOUBLE GATE INSTRUCTIONS

Follow the same instructions as per a single gate when installing the hinges for both gates.

To calculate the variances for the latch you must treat the fixed gate as if it were a standard fence panel.

The ideal hardware installation on a double gate should have equal spacing between posts and gates.

Install the Drop Rod to post of the fixed gate.



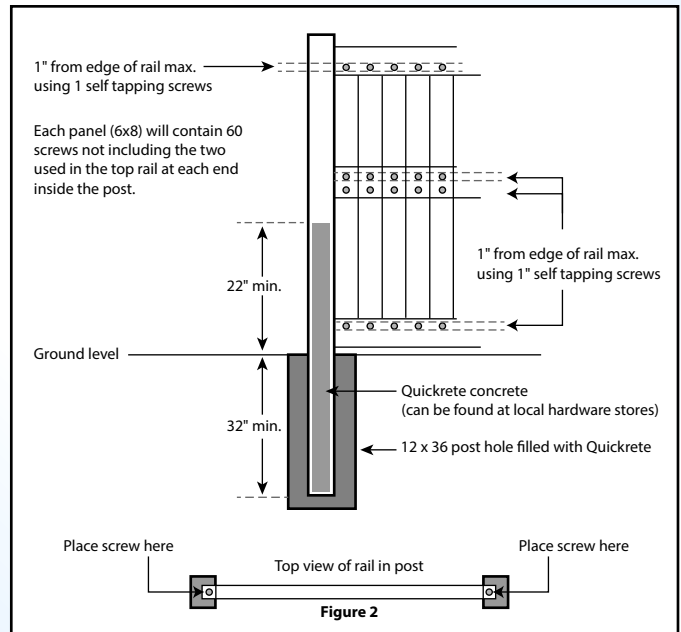
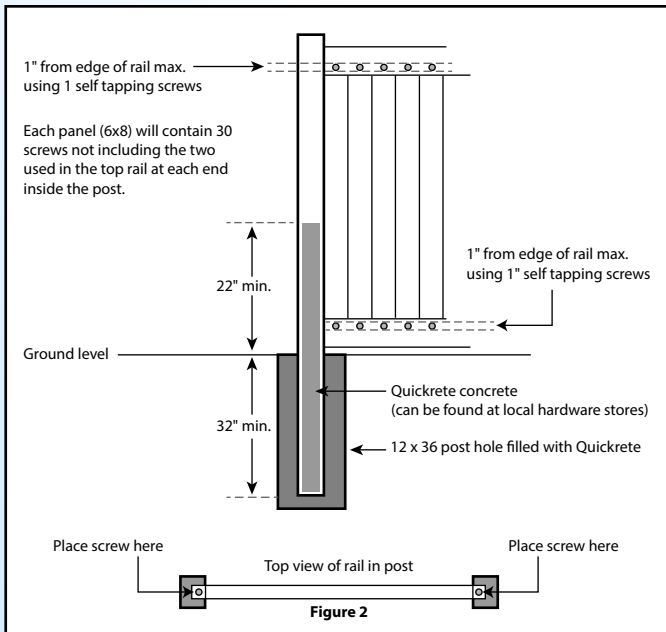
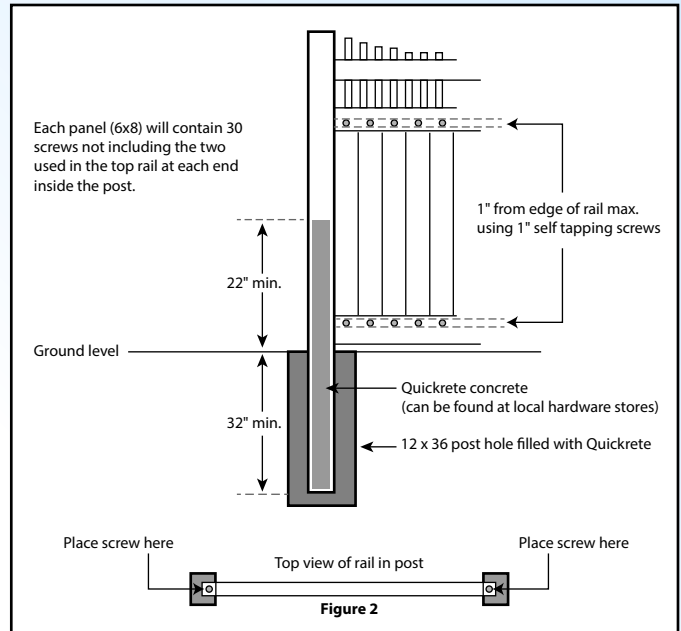
## HIGH WIND INSTALLATION INSTRUCTIONS FOR PRIVACY PANELS

All of our vinyl privacy panels ( up to 6' in height ) have been tested and certified to achieve high wind loads. In order to meet the wind rating requirements, the panels must be installed as noted below. These steps are the same steps used for the certification and must be followed exactly the same as used in testing. We tested the full privacy panels as the lowest common denominator.

ALL PRIVACY PANELS After the fence is installed, all posts are to be filled with "Quickrete" brand of concrete to at least 22" above the ground ( inside the post ) as shown in the following figure 1 drawings. Next, install the screws on the back side of the panel ( the side you will not see ) using #10 x 1" self-tapping stainless steel or galvanized pan head screws which can be purchased from your local hardware store. Be careful not to overtighten or strip the screws. Every picket will have one screw at the top rail and at the bottom rail on one side of the fence only. Every rail will have one screw installed on each end of the rail "Inside" the post as shown on the following drawings as Figure 2.

# SCREW PLACEMENT: HIGH WIND INSTALLATION

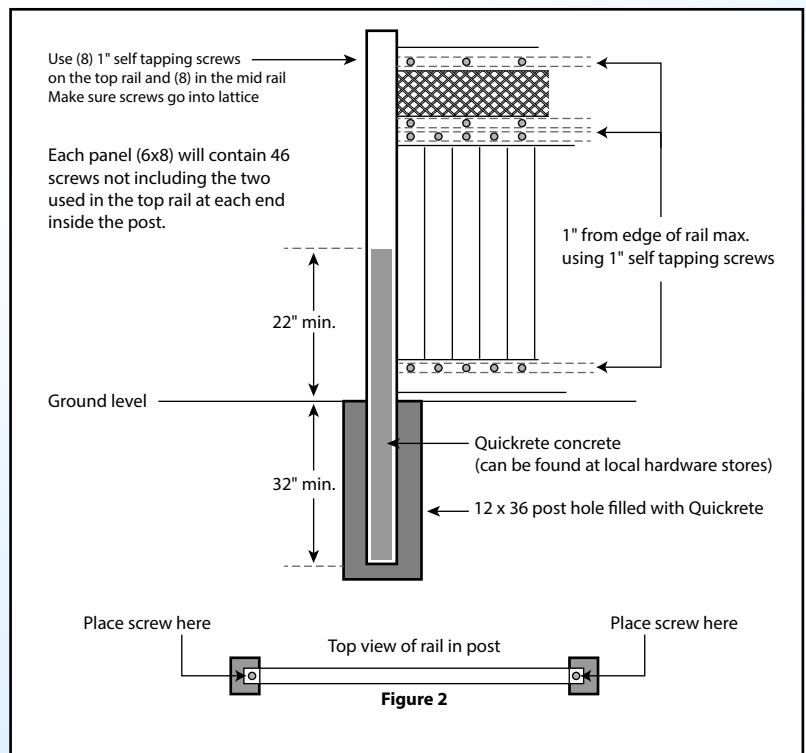
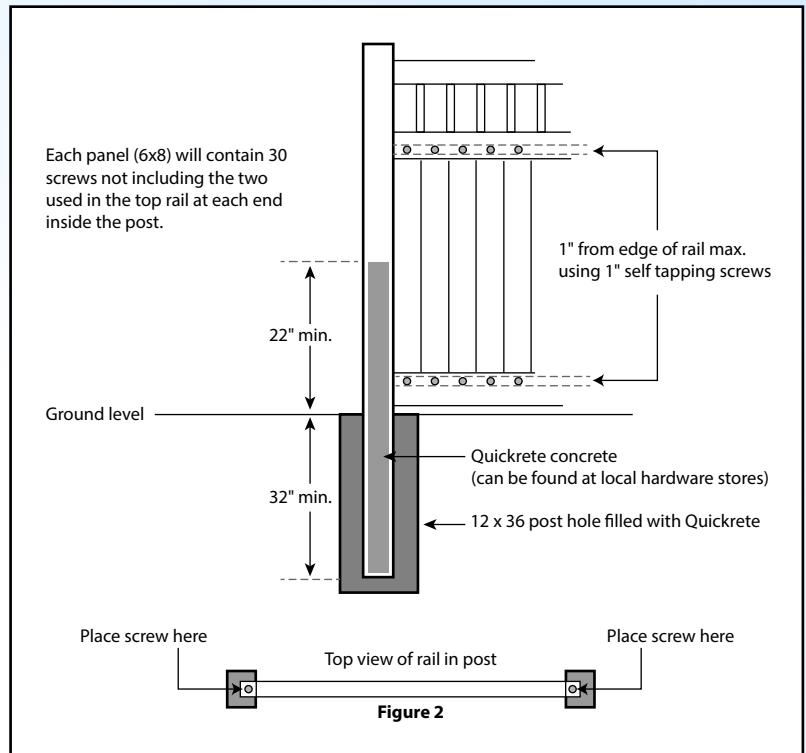
SELECT YOUR PANEL STYLE FROM THE FOLLOWING DRAWINGS FOR AN ILLUSTRATION OF THE SCREW PLACEMENT FOR THE HIGH WIND INSTALLATION.



Purchaser has the sole responsibility to determine whether these products comply with applicable codes and is appropriate for the intended use. The purchaser and installer should review the intended use of the products with a licensed professional engineer to determine code compliance and intended use.

# SCREW PLACEMENT: HIGH WIND INSTALLATION

SELECT YOUR PANEL STYLE FROM THE FOLLOWING DRAWINGS FOR AN ILLUSTRATION OF THE SCREW PLACEMENT FOR THE HIGH WIND INSTALLATION.



Purchaser has the sole responsibility to determine whether these products comply with applicable codes and is appropriate for the intended use. The purchaser and installer should review the intended use of the products with a licensed professional engineer to determine code compliance and intended use.